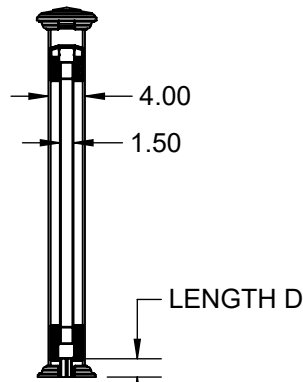
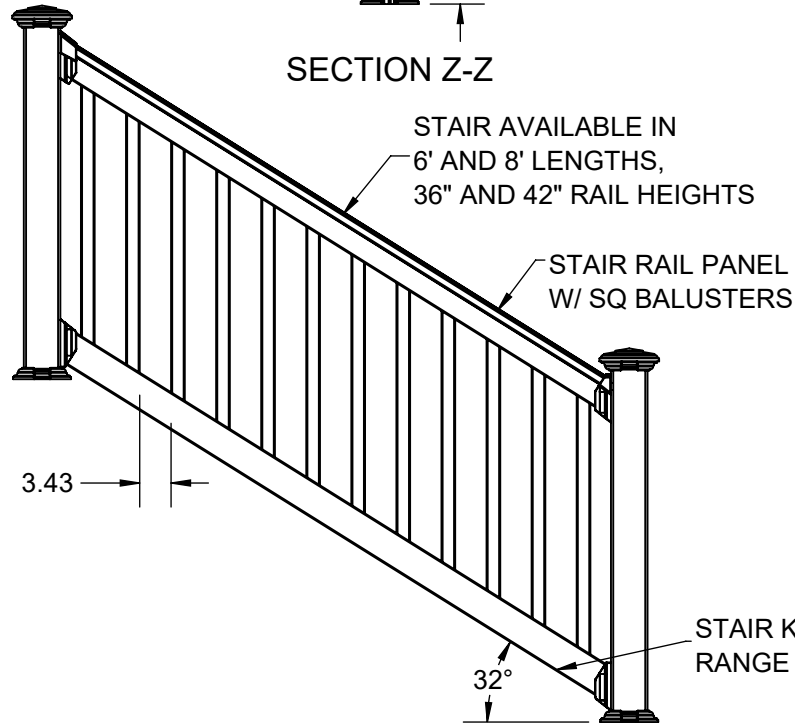


# TRAVERSE LEVEL AND STAIR RAIL DETAILS

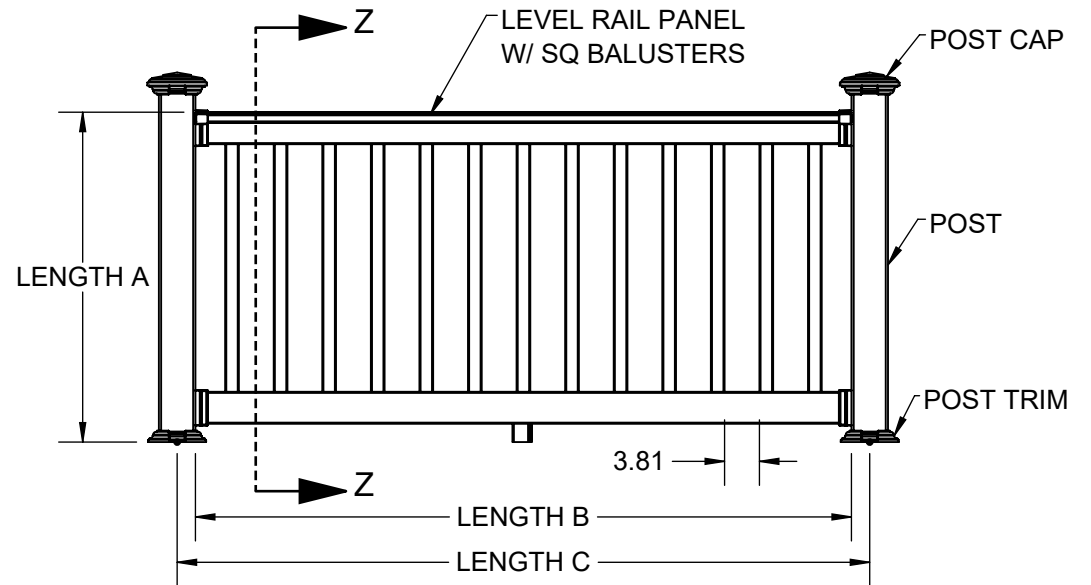


SECTION Z-Z

STAIR AVAILABLE IN  
6' AND 8' LENGTHS,  
36" AND 42" RAIL HEIGHTS



STAIR KITS HAVE A WORKING  
RANGE OF 26-38 DEGREES.

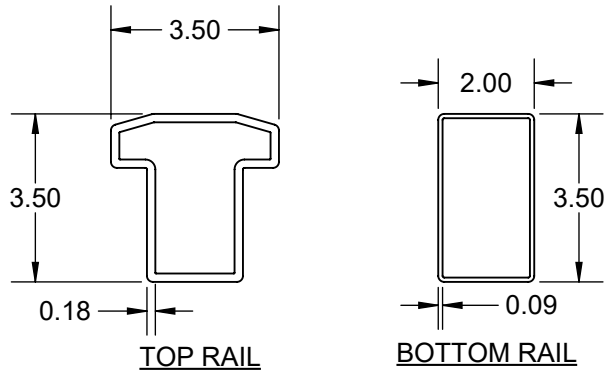


- NOTE:
- (A) FINISHED RAIL HEIGHT = 36", 42"
  - (B) PANEL LENGTH = 71.75", 95.75", 119.75"
  - (C) MAX SPANS = 120X36" IRC, 96X42" IBC
  - (D) BOTTOM SPACE = 2"

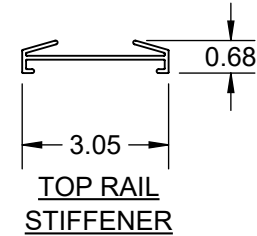
THE INFORMATION CONTAINED IN THIS DRAWING IS PROTECTED BY COPYRIGHT AND PATENT LAWS OF THE UNITED STATES AND OTHER COUNTRIES. ANY REPRODUCTION IN PART OR AS A WHOLE WITHOUT WRITTEN PERMISSION IS PROHIBITED.

DRAWN: CH	DATE: 01/11/2024	APPROVED:
DESCRIPTION: <b>TRAVERSE LEVEL AND STAIR RAIL</b>		
SHEET 1 OF 4	REVISION	PART NUMBER
SCALE 1:21	0	N/A
WEIGHT: N/A		

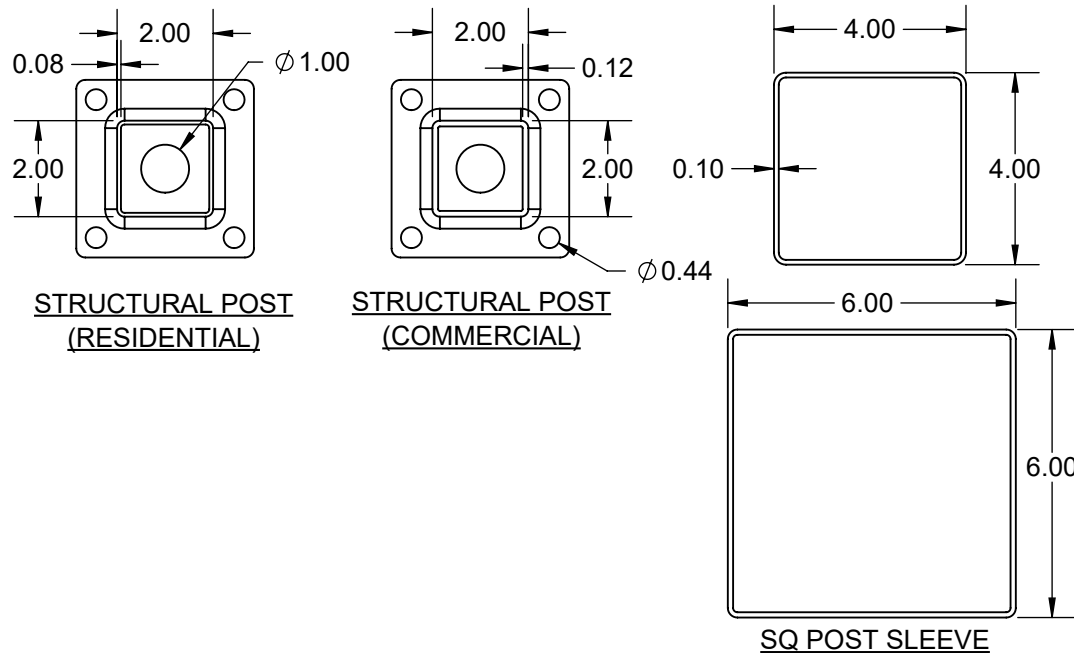
## TOP AND BOTTOM RAIL



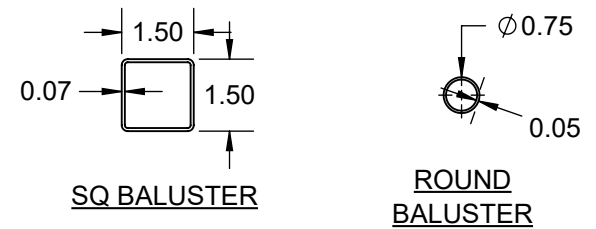
NOTE: STIFFENER NEED DEPENDS ON SPAN AND RAIL HEIGHT.  
SEE PFS BPER 0142.



## POST COMPONENTS



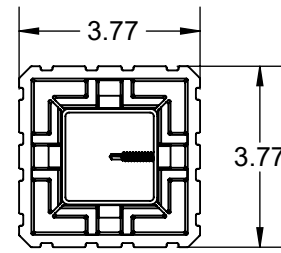
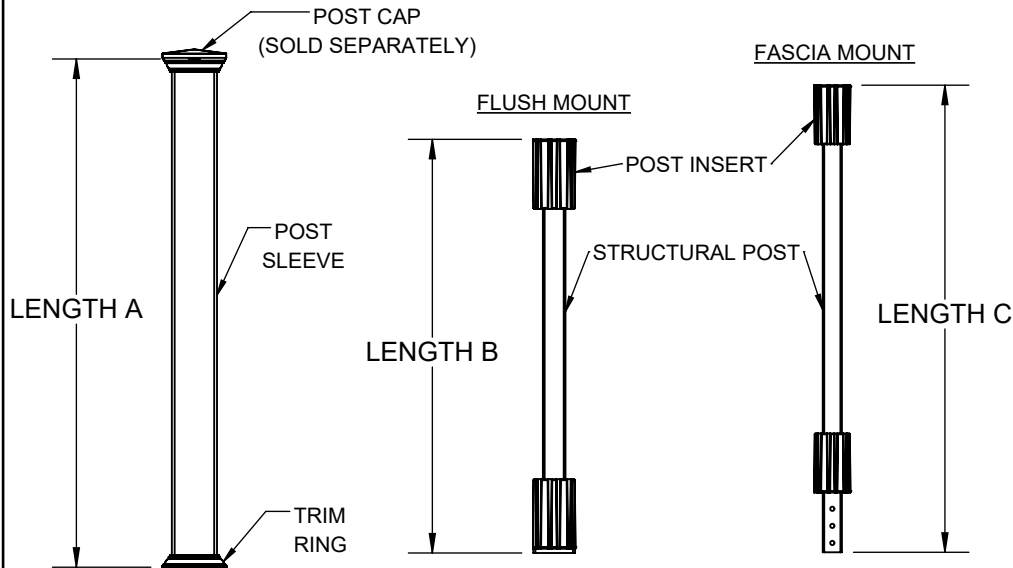
## BALUSTERS



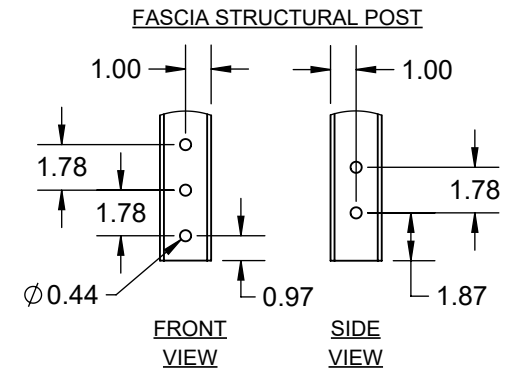
THE INFORMATION CONTAINED IN THIS DRAWING IS PROTECTED BY COPYRIGHT AND PATENT LAWS OF THE UNITED STATES AND OTHER COUNTRIES. ANY REPRODUCTION IN PART OR AS A WHOLE WITHOUT WRITTEN PERMISSION IS PROHIBITED.

DRAWN: CH	DATE: 01/11/2024	APPROVED:
DESCRIPTION: <b>TRAVERSE PROFILE DETAILS</b>		
SHEET 2 OF 4	REVISION	PART NUMBER
SCALE 1:4	0	<b>N/A</b>
WEIGHT: N/A		

## TRAVERSE POST AND MOUNT DETAILS



POST INSERT  
TOP VIEW

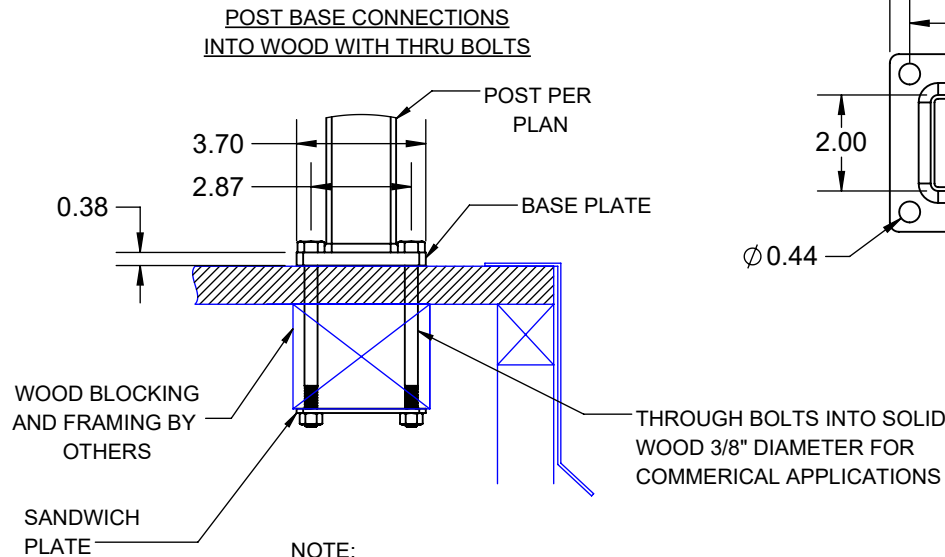


FASCIA STRUCTURAL POST

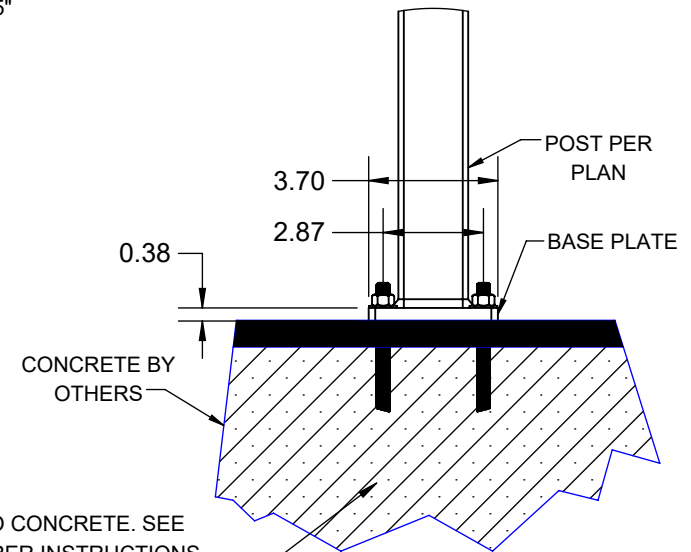
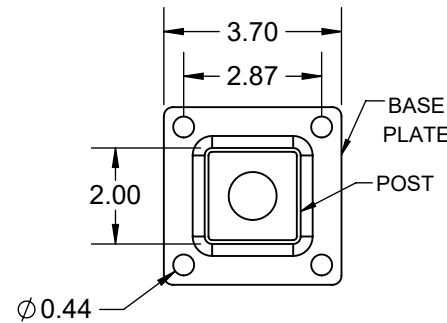
FRONT VIEW      SIDE VIEW

NOTE:  
 (A) = 39", 45", 54", 100", 108", 120"  
 (B) = 36.625", 42.625"  
 (C) = 42.625", 48.625"

POST BASE CONNECTION INTO  
CONCRETE W/ WEDGE ANCHORS



POST BASE CONNECTIONS  
INTO WOOD WITH THRU BOLTS



NOTE:  
 1. COMMERCIAL APPLICATIONS ARE ALWAYS BOLTED, USE 3/8" DIAMETER A307 THROUGH BOLTS (MIN 5" LENGTH) INTO SOLID WOOD BLOCKING (MIN 4" EMBEDMENT DEPTH).  
 2. WOOD BLOCKING BY OTHERS.  
 3. BLOCKING MUST BE DESIGNED TO WITHSTAND PROPER LOADING.

THE INFORMATION CONTAINED IN THIS DRAWING IS PROTECTED BY COPYRIGHT AND PATENT LAWS OF THE UNITED STATES AND OTHER COUNTRIES. ANY REPRODUCTION IN PART OR AS A WHOLE WITHOUT WRITTEN PERMISSION IS PROHIBITED.



DRAWN: CH	DATE: 01/11/2024	APPROVED:	
DESCRIPTION: <b>TRAVERSE POST &amp; MOUNT DETAILS</b>			
SHEET 3 OF 4	REVISION	PART NUMBER	
SCALE 1:15	0	N/A	
WEIGHT: N/A			

## MOUNTING SCHEDULE

FOR RESIDENTIAL APPLICATIONS 36" HIGH					
PANEL WIDTH	LOAD	RECOMMENDED BOLT APPLICATION	FOR LAG BOLT APPLICATION 3/8" DIA. SCREW. MINIMUM EMBEDDED SCREW THREAD LENGTH REQUIRED	FOR THROUGH BOLT APPLICATION	FOR CONCRETE ANCHOR APPLICATION 3/8" TITAN HD ANCHOR MINIMUM REQUIRED LENGTH (MINIMUM DISTANCE OF 4" FROM EDGE REQUIRED)
8FT	200LBS	LAG BOLT -OR- THROUGH BOLT -OR- CONCRETE ANCHOR	3.5IN	3/8" HEX BOLT 3/8" FLAT WASHER 3/8" LOCK WASHER 3/8" NUT	4IN
6FT			3IN		3IN
4FT			2.5IN		3IN

FOR COMMERCIAL APPLICATIONS 42" HIGH					
PANEL WIDTH	LOAD	RECOMMENDED BOLT APPLICATION	FOR LAG BOLT APPLICATION 3/8" DIA. SCREW. MINIMUM EMBEDDED SCREW THREAD LENGTH REQUIRED	FOR THROUGH BOLT APPLICATION	FOR CONCRETE ANCHOR APPLICATION 3/8" TITAN HD ANCHOR MINIMUM REQUIRED LENGTH (MINIMUM DISTANCE OF 4" FROM EDGE REQUIRED)
8FT	400LBS	THROUGH BOLT -OR- CONCRETE ANCHOR	3.5IN	3/8" HEX BOLT 3/8" FLAT WASHER 3/8" LOCK WASHER 3/8" NUT	4IN
6FT	300LBS	LAG BOLT -OR- THROUGH BOLT -OR- CONCRETE ANCHOR	3IN		3IN
4FT	200LBS	LAG BOLT -OR- THROUGH BOLT -OR- CONCRETE ANCHOR	2.5IN		3IN



DRAWN: CH	DATE: 01/11/2024	APPROVED:
-----------	------------------	-----------

DESCRIPTION: **MOUNTING SCHEDULE**

SHEET 4 OF 4	REVISION	PART NUMBER
SCALE 1:15	0	<b>N/A</b>
WEIGHT: N/A		

THE INFORMATION CONTAINED IN THIS DRAWING IS PROTECTED BY COPYRIGHT AND PATENT LAWS OF THE UNITED STATES AND OTHER COUNTRIES. ANY REPRODUCTION IN PART OR AS A WHOLE WITHOUT WRITTEN PERMISSION IS PROHIBITED.