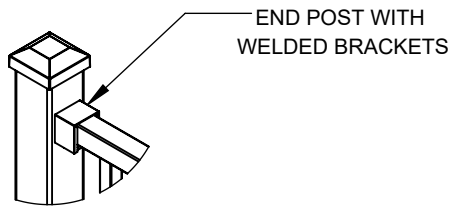
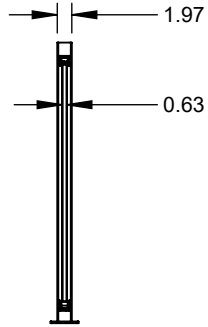


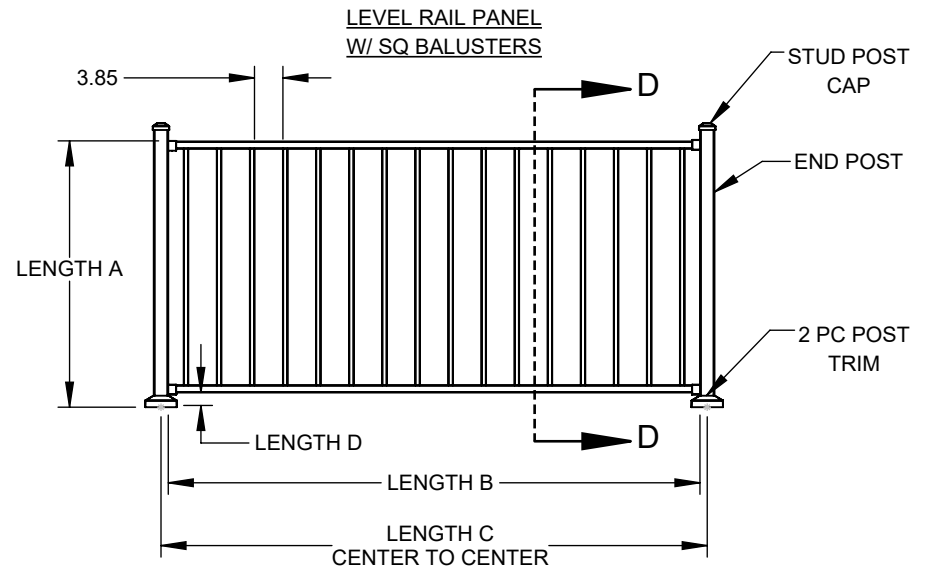
FATHOM LEVEL AND STAIR RAIL DETAILS



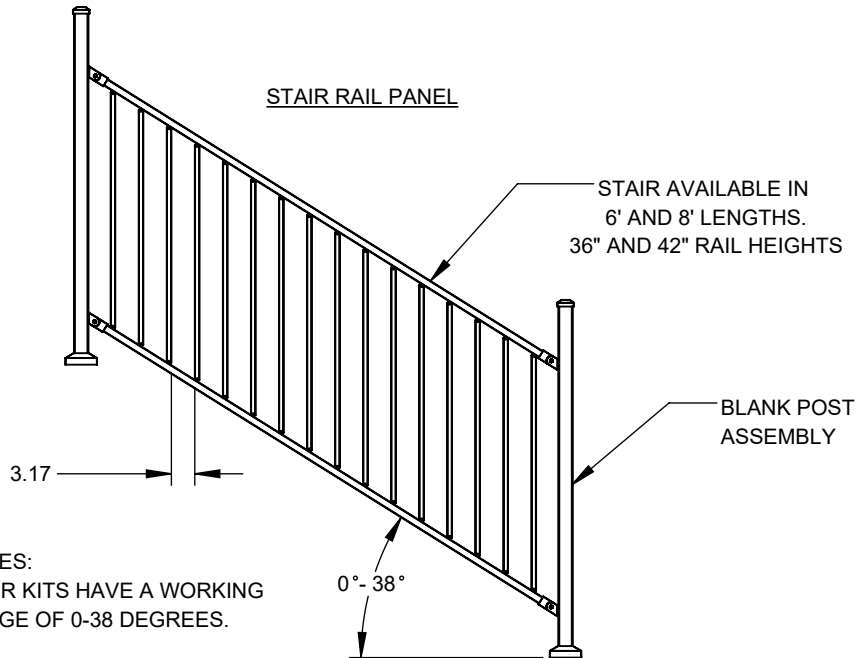
NOTES:
POST INCLUDES BRACKET
COVERS TO HIDE FASTENERS



SECTION D-D
SCALE 1 : 26



NOTES:
(A) FINISHED RAIL HEIGHT = 36", 38", 42"
(B) PANEL LENGTH = 71.75", 95.75", 119.75"
(C) MAX SPAN = 96.00" X 42 IBC, 96.00" X 36 IRC
(D) BOTTOM SPACE = 1.75", 3.75"

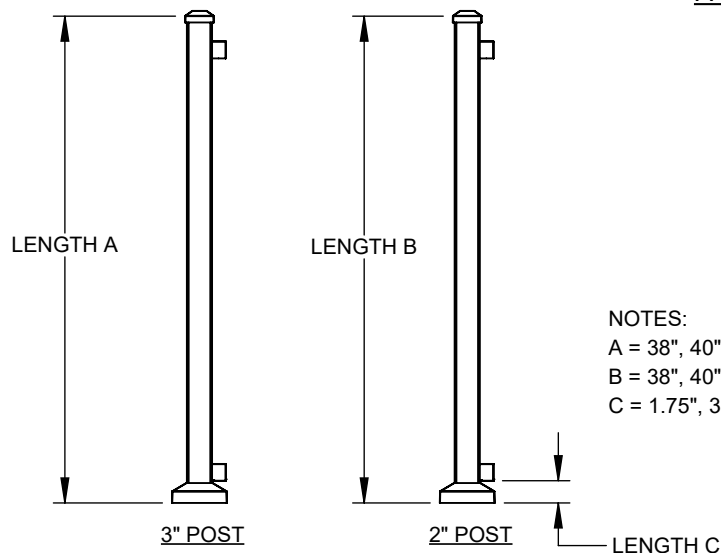


NOTES:
STAIR KITS HAVE A WORKING
RANGE OF 0-38 DEGREES.

THE INFORMATION CONTAINED IN
THIS DRAWING IS PROTECTED BY
COPYRIGHT AND PATENT LAWS
OF THE UNITED STATES AND
OTHER COUNTRIES. ANY
REPRODUCTION IN PART OR AS A
WHOLE WITHOUT WRITTEN
PERMISSION IS PROHIBITED.

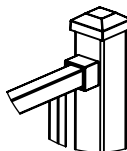
DRAWN: CH	DATE: 01/09/2024	APPROVED:
DESCRIPTION: FATHOM LEVEL AND STAIR RAIL		
SHEET 1 OF 8	REVISION	PART NUMBER
SCALE 1:15	0	N/A
WEIGHT: N/A		

FATHOM COMPONENT DETAILS

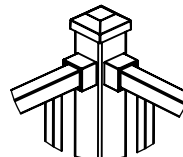


NOTES:
 A = 38", 40", 46"
 B = 38", 40", 44", 46", 48"
 C = 1.75", 3.75"

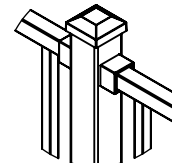
END POST



CORNER POST



LINE POST



BLANK POST



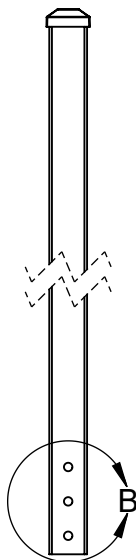
FASCIA POST



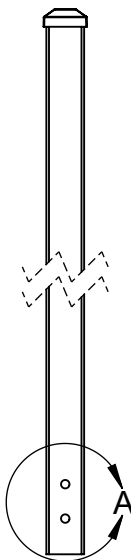
NOTE: BRACKET KITS INCLUDE (EXCEPT BLANK AND FASCIA POST), POST TOP, BRACKET COVERS, TRIM RING, VINYL SHIMS, HEX HEAD MOUNTING SCREWS, AND HEX BIT FOR ATTACHMENT TO STEEL OR WOOD POST.

FASCIA POST

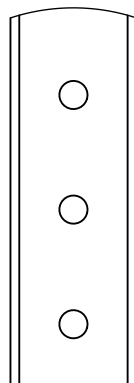
FRONT VIEW



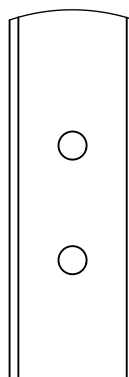
SIDE VIEW



DETAIL B
SCALE 1 3.5



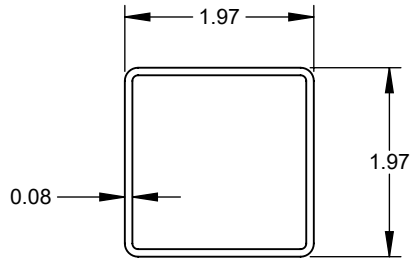
DETAIL A
SCALE 1 3.5



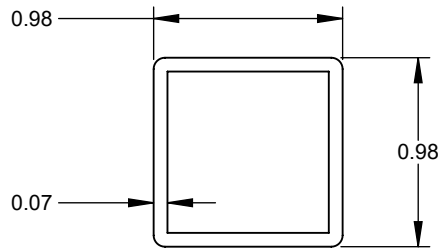
THE INFORMATION CONTAINED IN THIS DRAWING IS PROTECTED BY COPYRIGHT AND PATENT LAWS OF THE UNITED STATES AND OTHER COUNTRIES. ANY REPRODUCTION IN PART OR AS A WHOLE WITHOUT WRITTEN PERMISSION IS PROHIBITED.

DRAWN: CH	DATE: 01/09/2024	APPROVED:
FATHOM COMPONENT DETAILS		
SHEET 2 OF 8	REVISION	PART NUMBER
SCALE 1:15	0	N/A
WEIGHT: N/A		

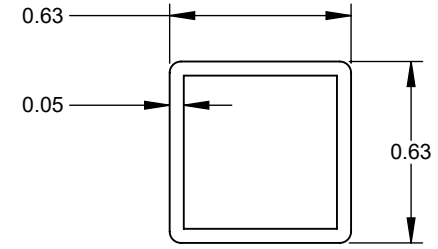
FATHOM COMPONENT DETAILS



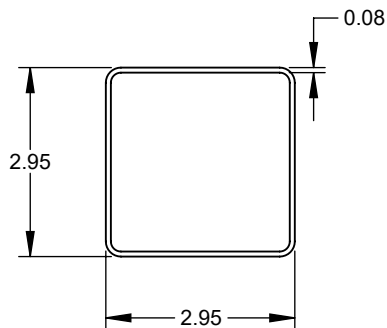
2" POST



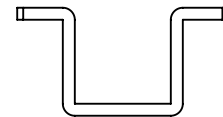
TOP / BTM RAIL



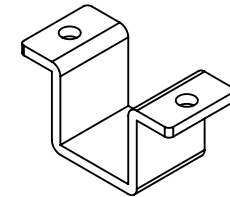
SQ BALUSTER



3" POST




FLUSH MOUNT BRKT



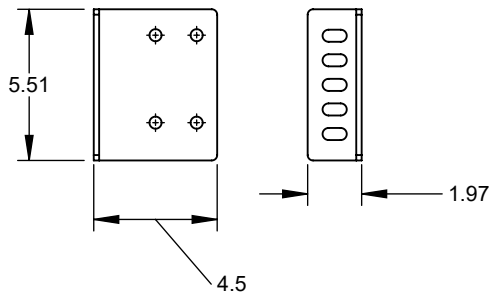
NOTE:
1. FLUSH BRKT USED TO ATTACH WOOD/DECK BOARD. FASTENERS ARE INCLUDED.

THE INFORMATION CONTAINED IN THIS DRAWING IS PROTECTED BY COPYRIGHT AND PATENT LAWS OF THE UNITED STATES AND OTHER COUNTRIES. ANY REPRODUCTION IN PART OR AS A WHOLE WITHOUT WRITTEN PERMISSION IS PROHIBITED.

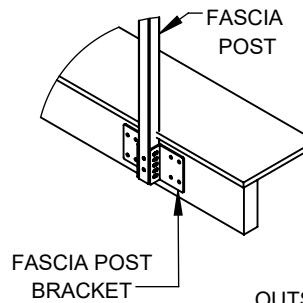
 MoistureShield.		
DRAWN: CH	DATE: 01/09/2024	APPROVED:
DESCRIPTION: FATHOM COMPONENT DETAILS		
SHEET 3 OF 8	REVISION	PART NUMBER
SCALE 1:15	0	N/A
WEIGHT: N/A		

FATHOM POST MOUNT CONNECTIONS

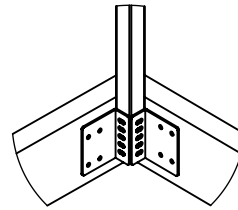
FASCIA BRACKET



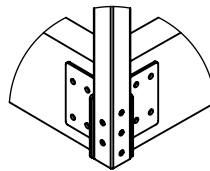
IN LINE POST



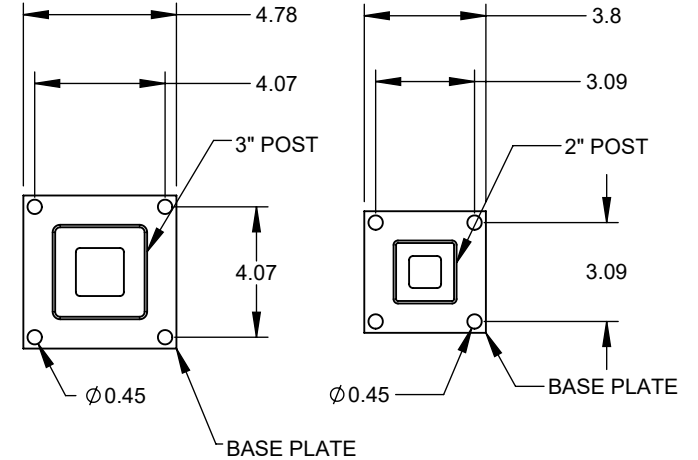
INSIDE CORNER MOUNT



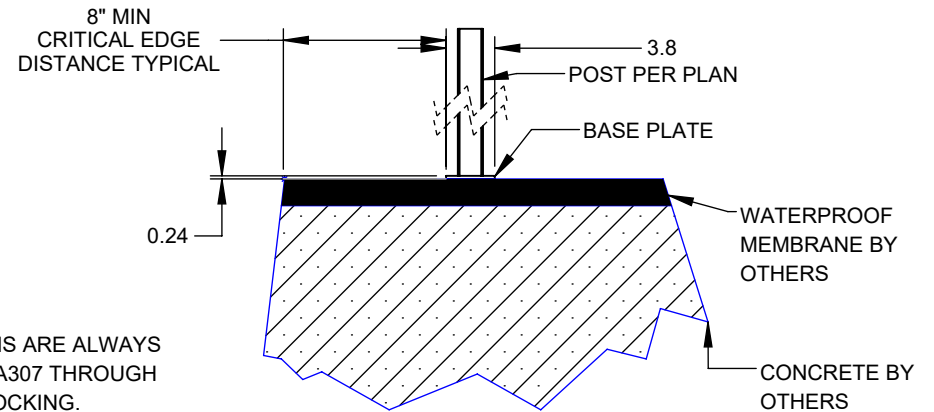
OUTSIDE CORNER MOUNT



POST DETAILS WITH BOTTOM PLATE



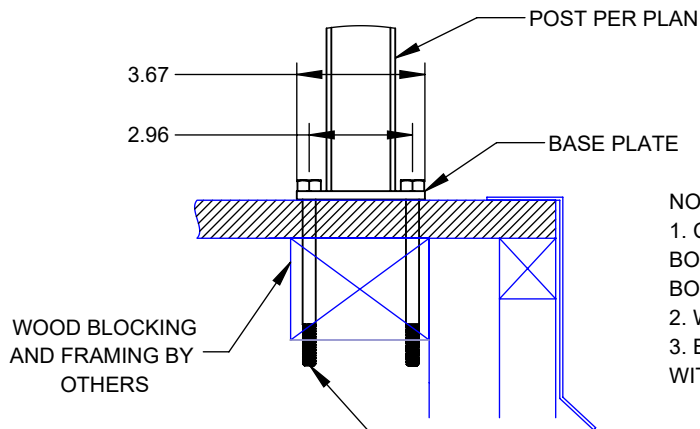
POST BASE CONNECTION INTO CONCRETE W/ WEDGE ANCHORS



NOTE:
USE (4)-3/8"x7" LONG WEDGE ANCHORS USE SIMPSON SET EPOXY INTO CONCRETE WITH 5" EMBEDMENT DEPTH

NOTE:
BRACKETS ARE NOT INCLUDED WITH FASCIA POST. THEY WILL NEED TO BE BOUGHT AND INSTALLED SEPARATELY

POST BASE CONNECTIONS INTO WOOD WITH THRU BOLTS



NOTE:
1. COMMERCIAL APPLICATIONS ARE ALWAYS BOLTED, USE 3/8" DIAMETER A307 THROUGH BOLTS INTO SOLID WOOD BLOCKING.
2. WOOD BLOCKING BY OTHERS.
3. BLOCKING MUST BE DESIGNED TO WITHSTAND PROPER LOADING.

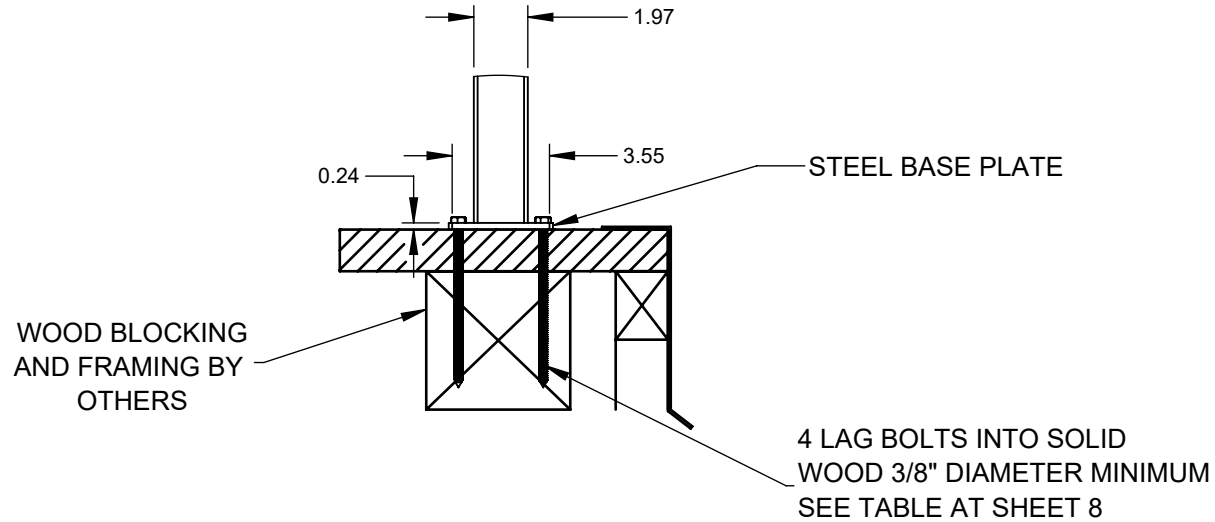
USE 3/8" DIAMETER THROUGH BOLTS (MINIMUM LENGTH 5") INTO WOOD MEMEBERS WITH MINIMUM EMBEDMENT DEPTH OF 4" INTO SOLID WOOD.

THE INFORMATION CONTAINED IN THIS DRAWING IS PROTECTED BY COPYRIGHT AND PATENT LAWS OF THE UNITED STATES AND OTHER COUNTRIES. ANY REPRODUCTION IN PART OR AS A WHOLE WITHOUT WRITTEN PERMISSION IS PROHIBITED.



DRAWN: CH	DATE: 01/09/2024	APPROVED:
DESCRIPTION: FATHOM POST MOUNT CONNECTIONS		
SHEET 4 OF 8	REVISION	PART NUMBER
SCALE 1:15	0	N/A
WEIGHT: N/A		

FATHOM POST AND SURFACE MOUNT DETAIL




POST BASE CONNECTION INTO
WOOD WITH LAG BOLTS

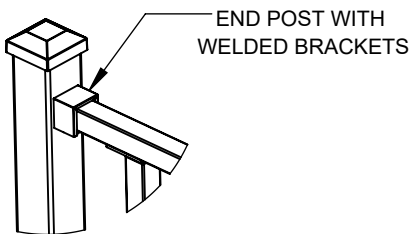
NOTE:

1. WOOD BLOCKING BY OTHERS.
2. BLOCKING MUST BE DESIGNED TO WITHSTAND PROPER LOADING.

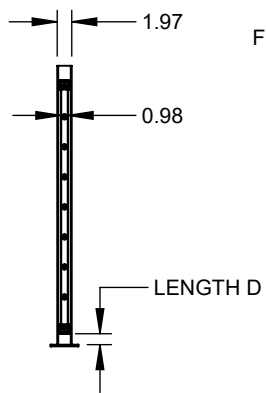
THE INFORMATION CONTAINED IN THIS DRAWING IS PROTECTED BY COPYRIGHT AND PATENT LAWS OF THE UNITED STATES AND OTHER COUNTRIES. ANY REPRODUCTION IN PART OR AS A WHOLE WITHOUT WRITTEN PERMISSION IS PROHIBITED.

 MoistureShield.		
DRAWN: CH	DATE: 01/09/2024	APPROVED:
DESCRIPTION: FATHOM POST AND SURFACE MOUNT DETAIL		
SHEET 5 OF 8	REVISION	PART NUMBER
SCALE 1:15	0	N/A
WEIGHT: N/A		

FATHOM HORIZONTAL ROD RAIL LEVEL AND STAIR RAIL DETAILS

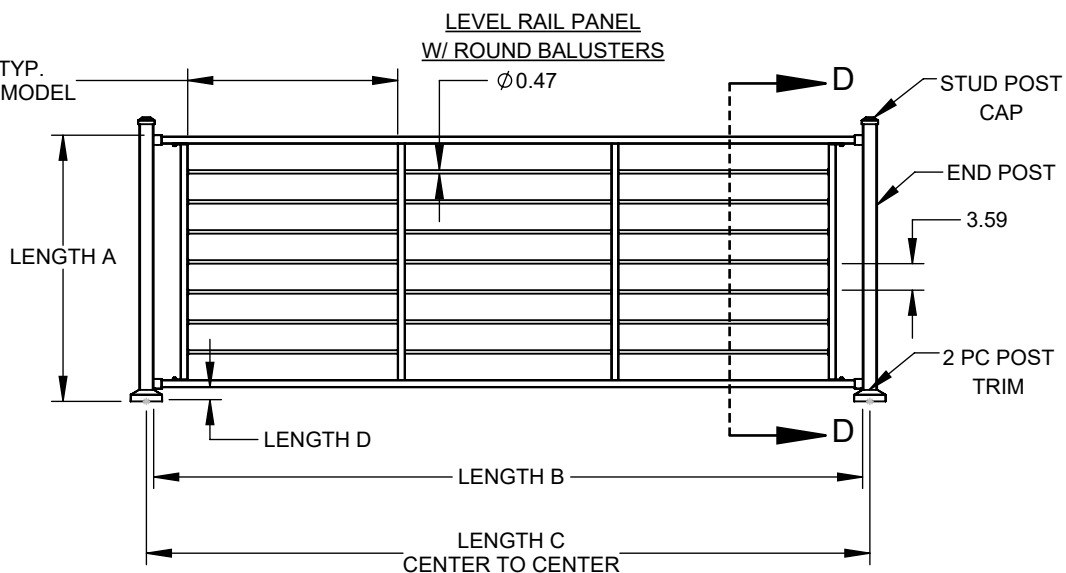


NOTES:
POST INCLUDES BRACKET COVERS TO HIDE FASTENERS

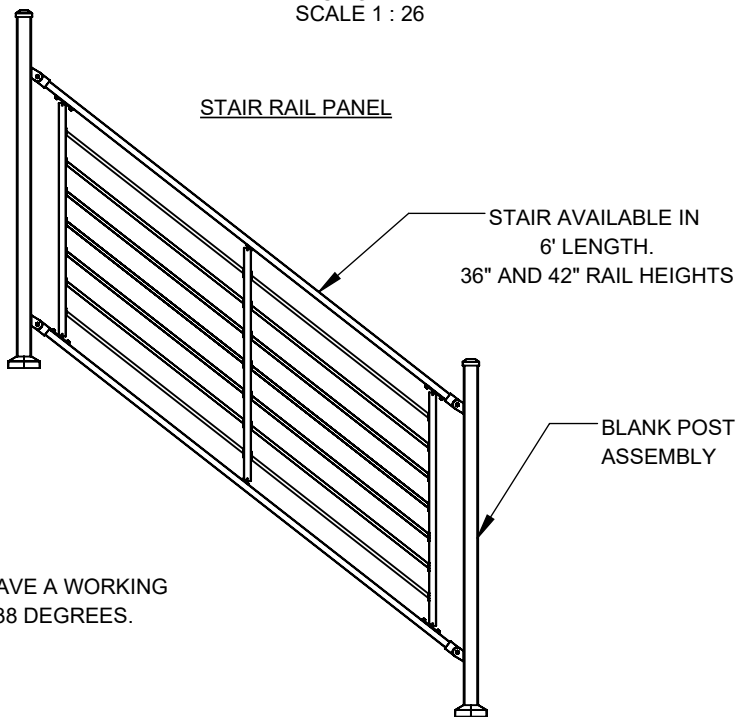


SECTION D-D
SCALE 1 : 26

28.43 TYP.
FOR 96" MODEL



STAIR RAIL PANEL



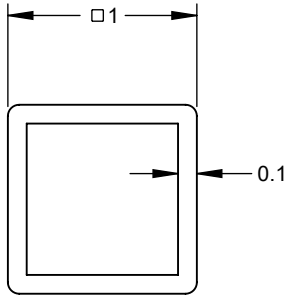
NOTES:
STAIR KITS HAVE A WORKING RANGE OF 0-38 DEGREES.

NOTES:
(A) FINISHED RAIL HEIGHT = 36", 42"
(B) PANEL LENGTH = 71.75", 95.75"
(C) MAX SPAN = 96.00" X 42 IBC, 96.00" X 36 IRC
(D) BOTTOM SPACE = 1.75"
(E) 71.75" LENGTH HAS 1 MID SUPPORT.
95.75" LENGTH HAS 2 MID SUPPORTS.

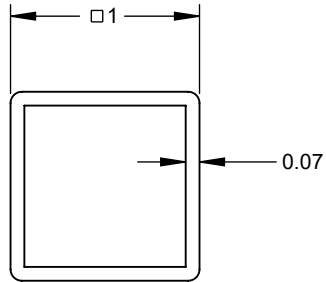
THE INFORMATION CONTAINED IN THIS DRAWING IS PROTECTED BY COPYRIGHT AND PATENT LAWS OF THE UNITED STATES AND OTHER COUNTRIES. ANY REPRODUCTION IN PART OR AS A WHOLE WITHOUT WRITTEN PERMISSION IS PROHIBITED.

DRAWN: CH	DATE: 01/09/2024	APPROVED:
DESCRIPTION: FATHOM HORIZONTAL ROD RAIL LEVEL AND STAIR RAIL DETAILS		
SHEET 6 OF 8	REVISION	PART NUMBER
SCALE 1:15	0	N/A
WEIGHT: N/A		

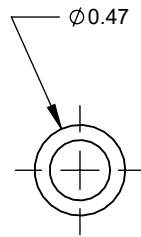
FATHOM HORIZONTAL ROD RAIL COMPONENT DETAILS



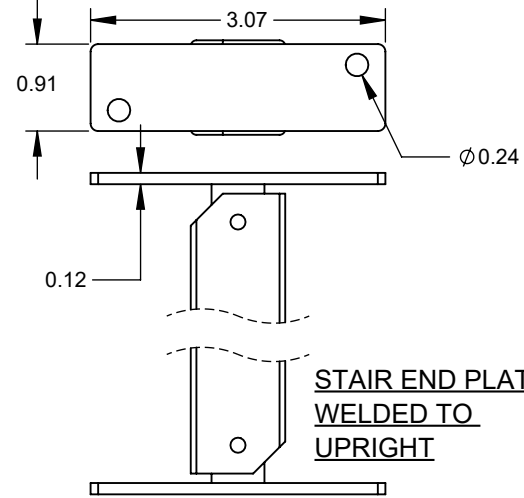
TOP AND BOTTOM
RAIL



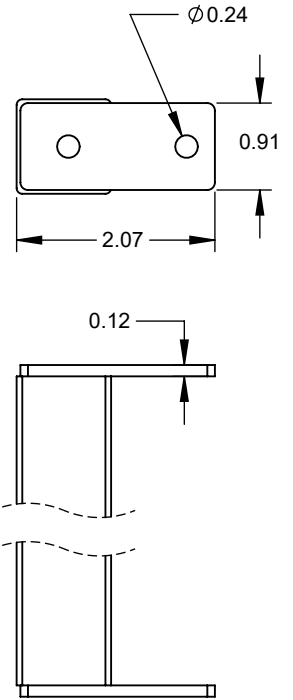
UPRIGHT



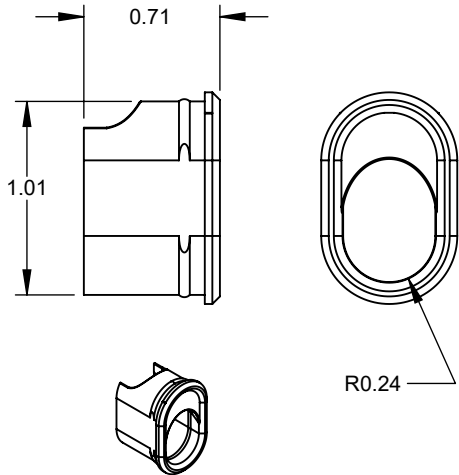
ROD INFILL



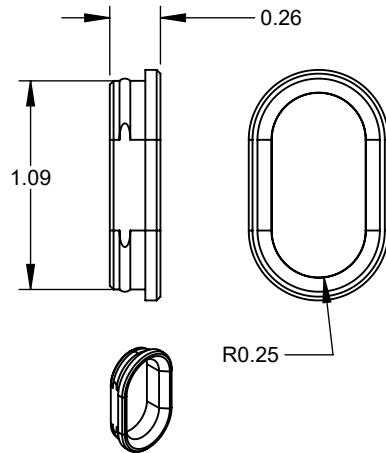
STAIR END PLATE -
WELDED TO
UPRIGHT



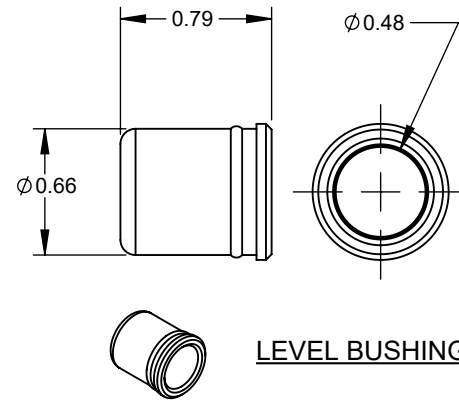
LEVEL END PLATE -
WELDED TO UPRIGHT



STAIR END BUSHING



STAIR MID BUSHING



LEVEL BUSHING

THE INFORMATION CONTAINED IN THIS DRAWING IS PROTECTED BY COPYRIGHT AND PATENT LAWS OF THE UNITED STATES AND OTHER COUNTRIES. ANY REPRODUCTION IN PART OR AS A WHOLE WITHOUT WRITTEN PERMISSION IS PROHIBITED.



DRAWN: CH	DATE: 01/09/2024	APPROVED: CH	
DESCRIPTION: FATHOM HORIZONTAL ROD RAIL COMPONENT DETAILS			
SHEET 7 OF 8		REVISION	PART NUMBER
SCALE 1:1		0	N/A
WEIGHT: N/A			

MOUNTING SCHEDULE

FOR RESIDENTIAL APPLICATIONS 36" HIGH					
PANEL WIDTH	LOAD	RECOMMENDED BOLT APPLICATION	FOR LAG BOLT APPLICATION 3/8" DIA. SCREW. MINIMUM EMBEDDED SCREW THREAD LENGTH REQUIRED	FOR THROUGH BOLT APPLICATION	FOR CONCRETE ANCHOR APPLICATION 3/8" TITAN HD ANCHOR MINIMUM REQUIRED LENGTH (MINIMUM DISTANCE OF 4" FROM EDGE REQUIRED)
8FT	200LBS	LAG BOLT -OR- THROUGH BOLT -OR- CONCRETE ANCHOR	3.5IN	3/8" HEX BOLT 3/8" FLAT WASHER 3/8" LOCK WASHER 3/8" NUT	4IN
6FT			3IN		3IN
4FT			2.5IN		3IN

FOR COMMERCIAL APPLICATIONS 42" HIGH					
PANEL WIDTH	LOAD	RECOMMENDED BOLT APPLICATION	FOR LAG BOLT APPLICATION 3/8" DIA. SCREW. MINIMUM EMBEDDED SCREW THREAD LENGTH REQUIRED	FOR THROUGH BOLT APPLICATION	FOR CONCRETE ANCHOR APPLICATION 3/8" TITAN HD ANCHOR MINIMUM REQUIRED LENGTH (MINIMUM DISTANCE OF 4" FROM EDGE REQUIRED)
8FT	400LBS	THROUGH BOLT -OR- CONCRETE ANCHOR	3.5IN	3/8" HEX BOLT 3/8" FLAT WASHER 3/8" LOCK WASHER 3/8" NUT	4IN
6FT	300LBS	LAG BOLT -OR- THROUGH BOLT -OR- CONCRETE ANCHOR	3IN		3IN
4FT	200LBS	LAG BOLT -OR- THROUGH BOLT -OR- CONCRETE ANCHOR	2.5IN		3IN



DRAWN:	CH	DATE:	01/09/2024	APPROVED:
--------	----	-------	------------	-----------

DESCRIPTION:	MOUNTING SCHEDULE
--------------	--------------------------

SHEET 8 OF 8	REVISION	PART NUMBER
SCALE 1:15	0	N/A
WEIGHT: N/A		

THE INFORMATION CONTAINED IN THIS DRAWING IS PROTECTED BY COPYRIGHT AND PATENT LAWS OF THE UNITED STATES AND OTHER COUNTRIES. ANY REPRODUCTION IN PART OR AS A WHOLE WITHOUT WRITTEN PERMISSION IS PROHIBITED.