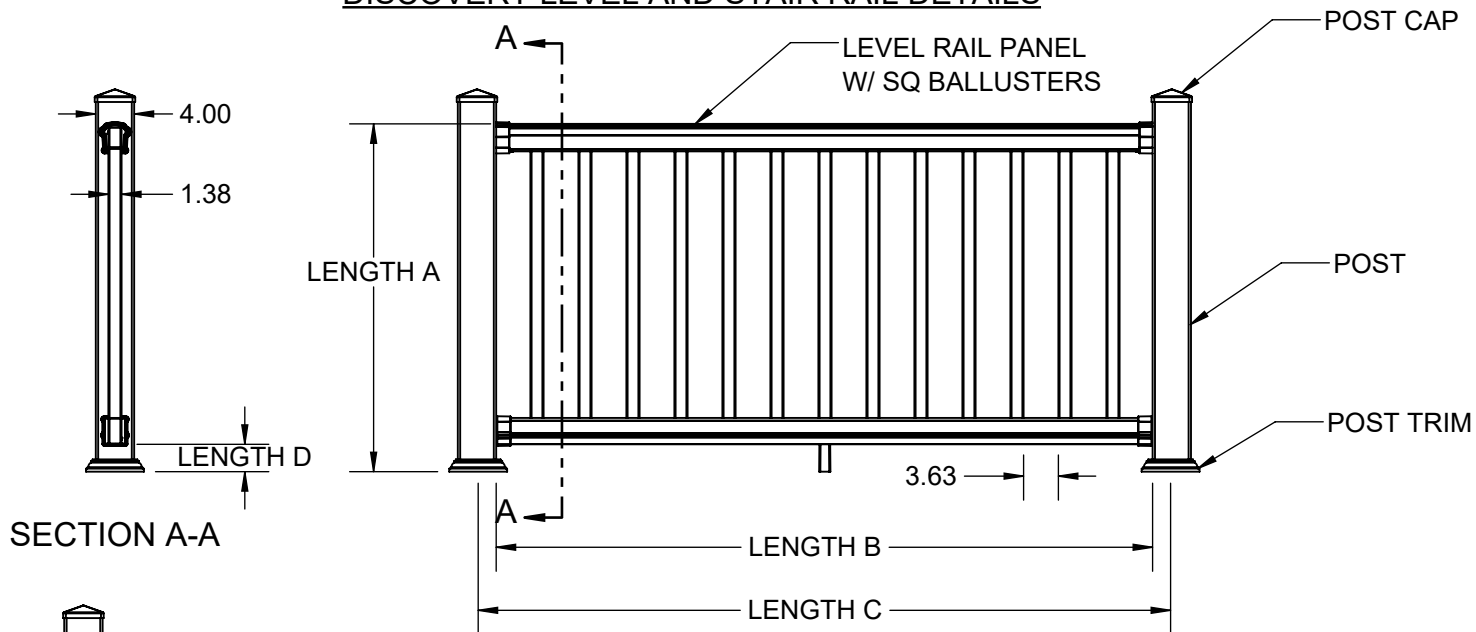
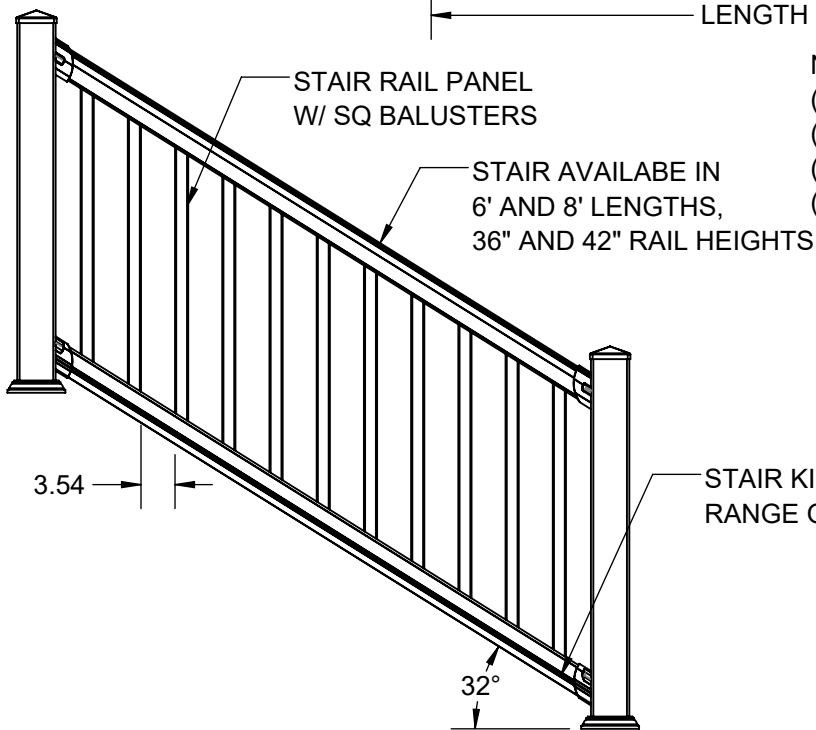


DISCOVERY LEVEL AND STAIR RAIL DETAILS



SECTION A-A



NOTE:

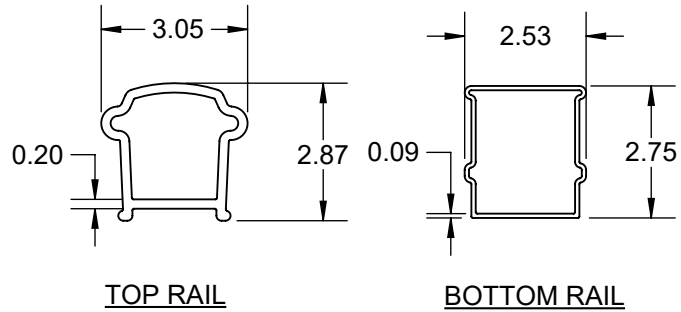
- (A) FINISHED RAIL HEIGHT = 36", 42" (SQ BALLUSTERS ONLY)
- (B) PANEL LENGTH = 67.125", 91.125", 115.125"
- (C) MAX SPANS = 115" (36" HIGH, IRC), 91" (42" HIGH, IBC)
- (D) BOTTOM SPACE = 3"

STAIR KITS HAVE A WORKING RANGE OF 26-38 DEGREES

THE INFORMATION CONTAINED IN THIS DRAWING IS PROTECTED BY COPYRIGHT AND PATENT LAWS OF THE UNITED STATES AND OTHER COUNTRIES. ANY REPRODUCTION IN PART OR AS A WHOLE WITHOUT WRITTEN PERMISSION IS PROHIBITED.

MoistureShield.		
<small>DRAWN:</small> CH	<small>DATE:</small> 01/09/2024	<small>APPROVED:</small>
<small>DESCRIPTION:</small> DISCOVERY LEVEL AND STAIR RAIL		
<small>SHEET 1 OF 4</small>	<small>REVISION</small>	<small>PART NUMBER</small>
<small>SCALE 1:20</small>		N/A
<small>WEIGHT: N/A</small>		

TOP AND BOTTOM RAIL

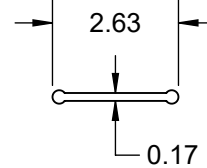


TOP RAIL

BOTTOM RAIL

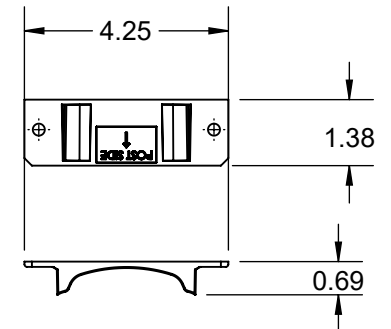
STIFFENER

NOTE: STIFFENER ONLY
PRESENT IN 8' AND 10' PANELS.
SEE PFS TECO RESEARCH
REPORT 0101.



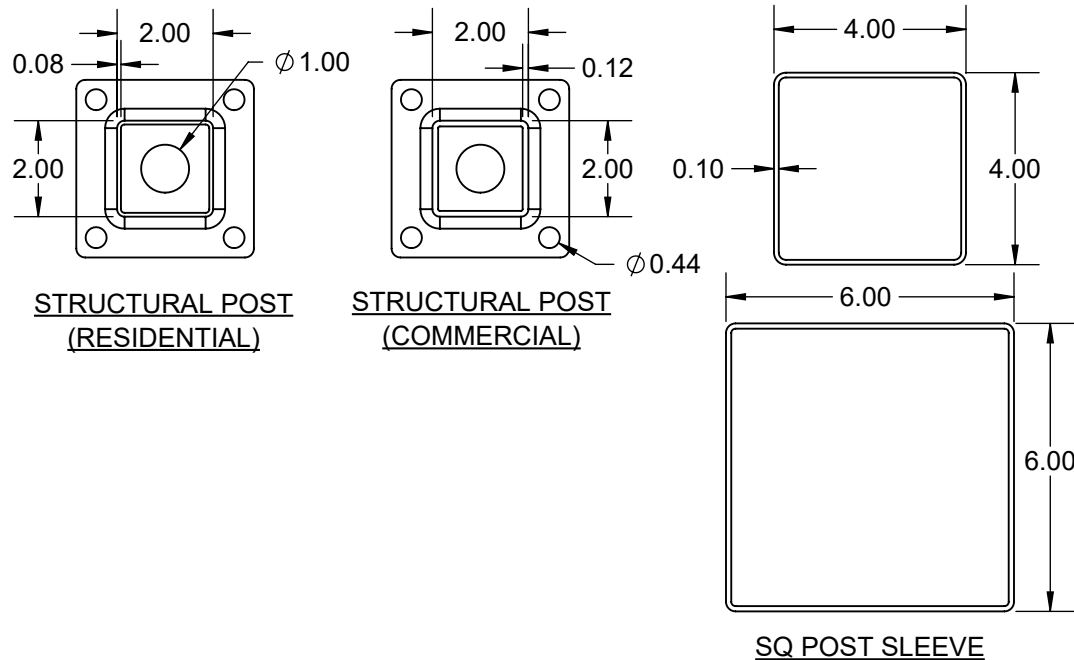
TOP RAIL
STIFFENER

ACCESSORIES



DECK TOP ADAPTER

POST COMPONENTS

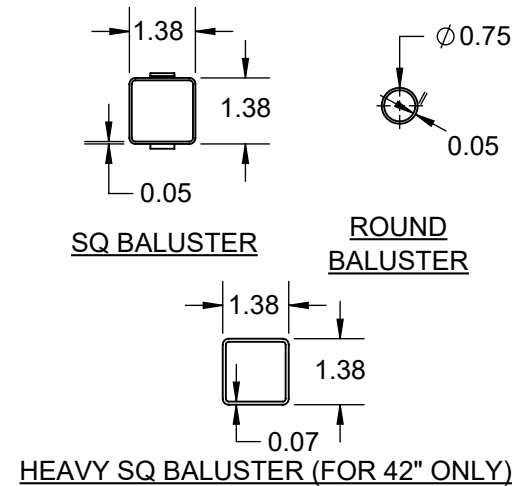


STRUCTURAL POST
(RESIDENTIAL)

STRUCTURAL POST
(COMMERCIAL)

SQ POST SLEEVE

BALUSTERS



SQ BALUSTER

ROUND
BALUSTER

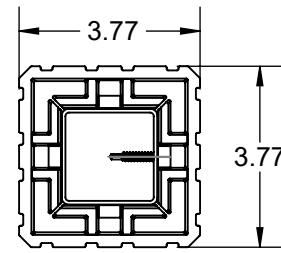
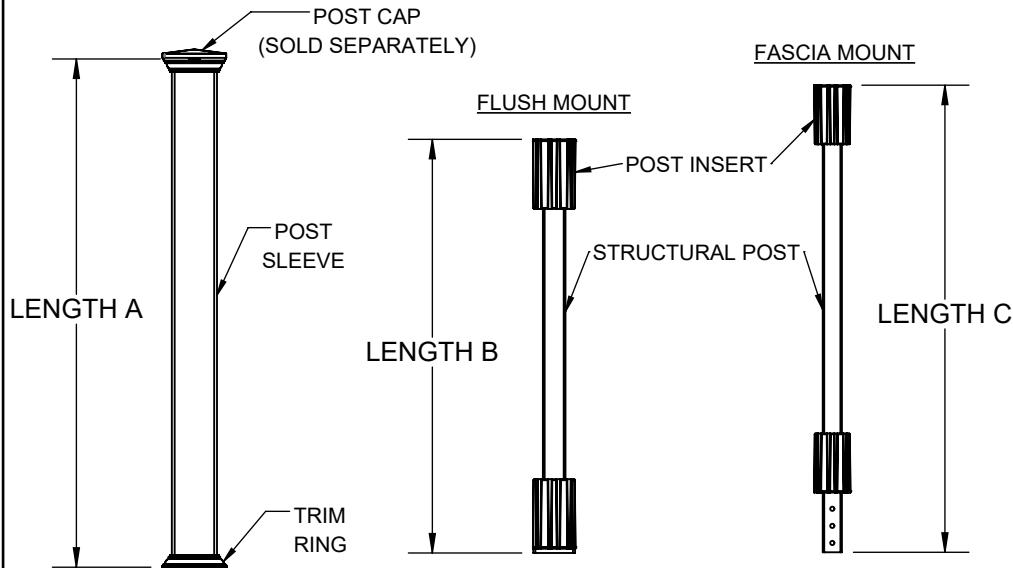
HEAVY SQ BALUSTER (FOR 42" ONLY)

THE INFORMATION CONTAINED IN
THIS DRAWING IS PROTECTED BY
COPYRIGHT AND PATENT LAWS
OF THE UNITED STATES AND
OTHER COUNTRIES. ANY
REPRODUCTION IN PART OR AS A
WHOLE WITHOUT WRITTEN
PERMISSION IS PROHIBITED.

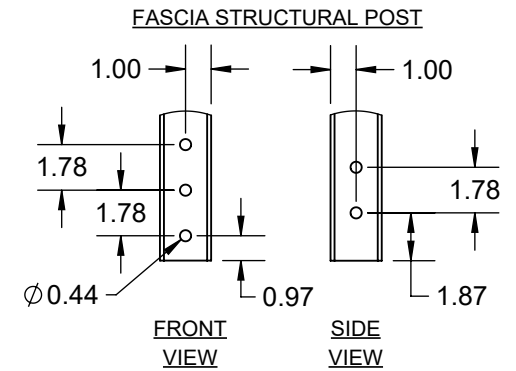


DRAWN:	CH	DATE:	01/09/2024	APPROVED:	
DESCRIPTION:	DISCOVERY PROFILE DETAILS				
SHEET 2 OF 4	REVISION	PART NUMBER			
SCALE 1:4	0	N/A			
WEIGHT: N/A					

DISCOVERY POST AND MOUNT DETAILS

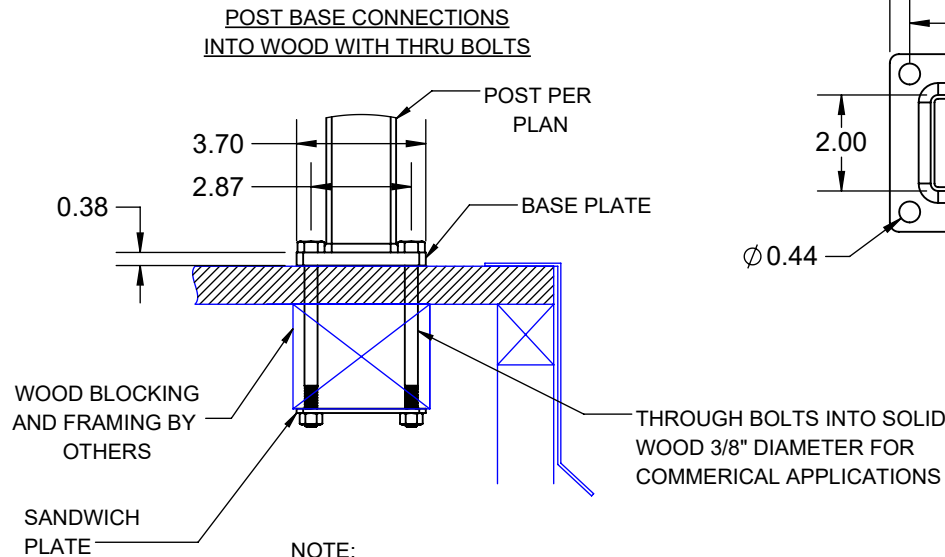


POST INSERT
TOP VIEW

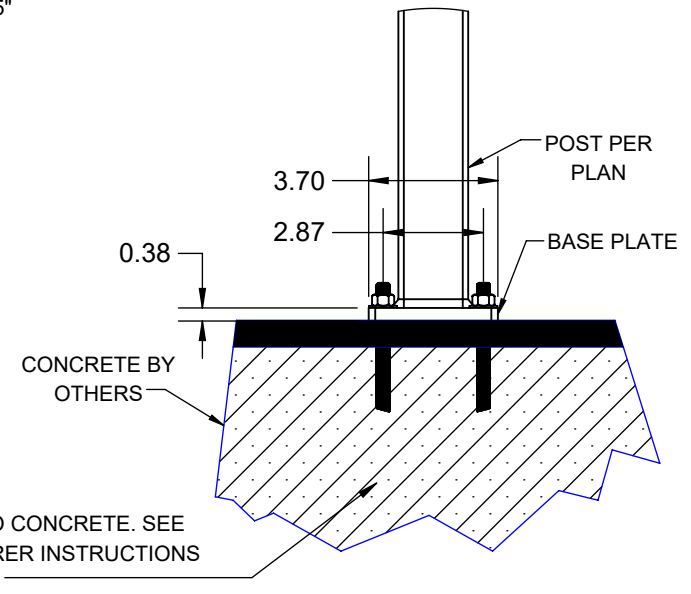
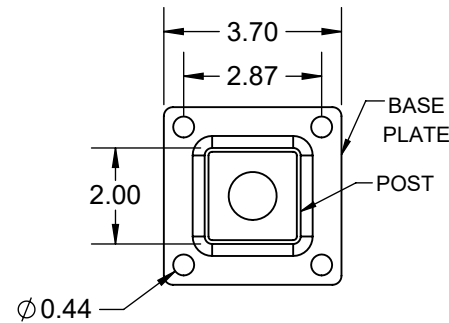


POST BASE CONNECTION INTO
CONCRETE W/ WEDGE ANCHORS

NOTE:
 (A) = 39", 45", 54", 100", 108", 120"
 (B) = 36.625", 42.625"
 (C) = 42.625", 48.625"



NOTE:
 1. COMMERCIAL APPLICATIONS ARE ALWAYS BOLTED, USE 3/8" DIAMETER A307 THROUGH BOLTS (MIN 5" LENGTH) INTO SOLID WOOD BLOCKING (MIN 4" EMBEDMENT DEPTH).
 2. WOOD BLOCKING BY OTHERS.
 3. BLOCKING MUST BE DESIGNED TO WITHSTAND PROPER LOADING.



ANCHOR INTO CONCRETE. SEE MANUFACTURER INSTRUCTIONS FOR DETAILS.

THE INFORMATION CONTAINED IN THIS DRAWING IS PROTECTED BY COPYRIGHT AND PATENT LAWS OF THE UNITED STATES AND OTHER COUNTRIES. ANY REPRODUCTION IN PART OR AS A WHOLE WITHOUT WRITTEN PERMISSION IS PROHIBITED.

TOLERANCES		MoistureShield.					
FRACTION	±1/16	DRAWN:	CH	DATE:	01/09/2024	APPROVED:	
XX	±0.01	DESCRIPTION:					
XXX	±0.005	DISCOVERY POST & MOUNT DETAILS					
ANGLE	±1.0°	SHEET 3 OF 4		REVISION	PART NUMBER		
FINISH	125 RMS	SCALE 1:15			N/A		
UNLESS OTHERWISE SPECIFIED		WEIGHT: N/A					

MOUNTING SCHEDULE

FOR RESIDENTIAL APPLICATIONS 36" HIGH					
PANEL WIDTH	LOAD	RECOMMENDED BOLT APPLICATION	FOR LAG BOLT APPLICATION 3/8" DIA. SCREW. MINIMUM EMBEDDED SCREW THREAD LENGTH REQUIRED	FOR THROUGH BOLT APPLICATION	FOR CONCRETE ANCHOR APPLICATION 3/8" TITAN HD ANCHOR MINIMUM REQUIRED LENGTH (MINIMUM DISTANCE OF 4" FROM EDGE REQUIRED)
8FT	200LBS	LAG BOLT -OR- THROUGH BOLT -OR- CONCRETE ANCHOR	3.5IN	3/8" HEX BOLT 3/8" FLAT WASHER 3/8" LOCK WASHER 3/8" NUT	4IN
6FT			3IN		3IN
4FT			2.5IN		3IN

FOR COMMERCIAL APPLICATIONS 42" HIGH					
PANEL WIDTH	LOAD	RECOMMENDED BOLT APPLICATION	FOR LAG BOLT APPLICATION 3/8" DIA. SCREW. MINIMUM EMBEDDED SCREW THREAD LENGTH REQUIRED	FOR THROUGH BOLT APPLICATION	FOR CONCRETE ANCHOR APPLICATION 3/8" TITAN HD ANCHOR MINIMUM REQUIRED LENGTH (MINIMUM DISTANCE OF 4" FROM EDGE REQUIRED)
8FT	400LBS	THROUGH BOLT -OR- CONCRETE ANCHOR	3.5IN	3/8" HEX BOLT 3/8" FLAT WASHER 3/8" LOCK WASHER 3/8" NUT	4IN
6FT	300LBS	LAG BOLT -OR- THROUGH BOLT -OR- CONCRETE ANCHOR	3IN		3IN
4FT	200LBS	LAG BOLT -OR- THROUGH BOLT -OR- CONCRETE ANCHOR	2.5IN		3IN



DRAWN:	CH	DATE:	01/09/2024	APPROVED:
DESCRIPTION:				
MOUNTING SCHEDULE				
SHEET 4 OF 4		REVISION	PART NUMBER	
SCALE 1:15		0	N/A	
WEIGHT: N/A				

THE INFORMATION CONTAINED IN THIS DRAWING IS PROTECTED BY COPYRIGHT AND PATENT LAWS OF THE UNITED STATES AND OTHER COUNTRIES. ANY REPRODUCTION IN PART OR AS A WHOLE WITHOUT WRITTEN PERMISSION IS PROHIBITED.